



ABRASIVE WHEEL DRESSERS

GRINDING



K.O.LEE's Abrasive Wheel Dressers fill the gap between the diamond dresser and the conventional "star" type dresser, performing as well as a diamond dresser, but with much less cost.

Your grinding wheel can be dressed in just a few seconds, with the use of this outstanding handheld tool. For fast dressing, we suggest that the operator tilt their dresser at an angle of approximately 15 degrees to the wheel and use only light pressure against the wheel being dressed.

SIZES

KE1 DRESSER

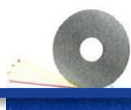
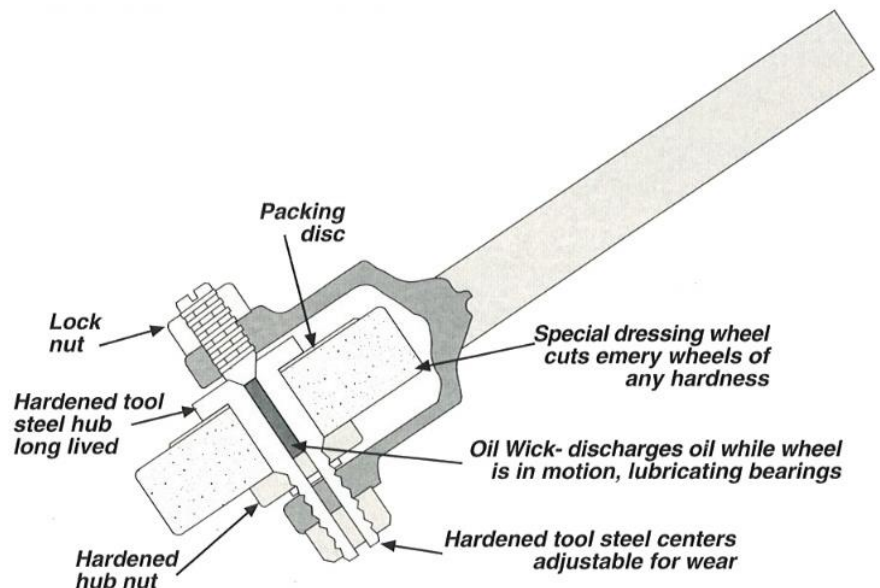
1-1/2 x 6 inches (38 x 152mm) for wheels with diameters up to 6 inches (152mm).
Weight 3/4 lbs. (.3kg).

KE2 DRESSER

2-1/2 x 12 inches (63.5 x 305mm) for wheels with diameters up to 10 inches (254mm).
Weight 2 lbs. (.9kg)

KE3 DRESSER

3 x 13 inches (76 x 330mm) for wheels with diameters of 8 to 10 inches (203 to 254mm).
Weight 8-1/2 lbs. (1.6kg)



Specifications are subject to change without prior notice and were correct at time of print.

REPLACEMENT COMPONENTS

KE1 DRESSER

DRESSING WHEEL	KE1G
HUB	KE1H
HUB NUT	KY16-02223165
CENTER SCREW	KE1S
WICK	KE1F
LOCK NUT	KY16-02222527
HANDLE	KE1C
REPAIR KIT	KE1RK



KE1G WHEEL
1-1/2" x 5/8" x 5/16"
(38 x 16 x 8 mm)

KE2 DRESSER

DRESSING WHEEL	KE2G
HUB	KE2H
HUB NUT	KE2N
CENTER SCREW	KE2S
WICK	KE2F
LOCK NUT	KY16-02213827
HANDLE	KE2C
REPAIR KIT	KE2RK



KE2G WHEEL
2-1/2" x 5/8" x 1/2"
(63.5 x 16 x 13mm)

KE3 DRESSER

DRESSING WHEEL	KE3G
HUB	KE3H
HUB NUT	KE3N
CENTER SCREW	KE3S
WICK	KE3F
LOCK NUT	KY16-02215020
HANDLE	KE3C
REPAIR KIT	KE3RK



KE3G WHEEL
5" x 1-1/4" x 7/8"
(127 x 32 x 22mm)



Specifications are subject to change without prior notice and were correct at time of print.